



---

# INDEX

---

Conditions of sale	4
DILUVIO wall mounted eyewash	6
DILUVIO pedestal mounted eyewash	7
DILUVIO deck mounted eyewash	8
DILUVIO ceiling mounted emergency shower	8
DILUVIO wall mounted emergency shower	9
DILUVIO pedestal mounted emergency shower	9
DILUVIO emergency shower and eyewash combination	10
DILUVIO spare parts	13
Stainless steel eyewash	14
Stainless steel emergency shower	15
Stainless steel emergency shower and eyewash combination	15
Stainless steel emergency shower and eyewash spare parts	16
Special and portable eyewashers	17
Product index	18
Certifications	19

---



## EYEWASH AND EMERGENCY SHOWERS

Emergency showers are an indispensable aid in case of accident caused by fire or contamination by acids, bases or solvents.

Often the dangers that can cause the use of hazardous substances are underestimated, but having available an emergency kit can be critical.

This is a reality for all industries and laboratories, being a very wide field of application.

### FIRST AID

The first aid for any damage or burn caused by acids, bases, radioactive substances or irritants, is to eliminate the harmful product washing the body concerned as soon as possible with plenty of running water: so doing implies, in almost all cases, eliminating the consequences, however, delay the aid can be fatal.

The suitable equipments for emergency intervention, which are intended to remove aggressive substances or put out the fire of work clothes, are showers and emergency eyewash. The washing should last at least 15 minutes.

Installation of showers and eyewash should be done in a visible and easy access area for each dangerous area. It is recommended a distance of 7-8 meters from the working position.

### TECHNICAL CHARACTERISTICS

BOCCHI emergency showers meet the specifications required in the regulations:

- UNI EN 15154-1 standards which refer to body showers connected to mains water.
- UNI EN 15154-2 standards which refer to eyewash units connected to the water network.
- Standards which refer to eyewash units and emergency showers: UNI9608, UNI10271 and DIN 12899 PART 2.
- ANSI Z358.1-2004 American National Standard Institute regulations for eyewashers and emergency showers.

The standards demand that the minimum flow of the eyewash should be 6 liters / minute and emergency shower of 100 liters / minute.

The BOCCHI showers and eyewash exceed the required limit, with a maximum flow rate of 14 liters / minute for eyewash and 120 liters / minute for the emergency shower.

### EYEWASH, TECHNICAL SPECIFICATIONS

Bowl material: Polypropylene / Stainless steel.

Fittings: brass.

Aerated jets.

Total maximum flow: 14 liters / minute  $\pm$  10% (0.3 MPa).

Water inlet: 1/2" inner thread.

Water outlet: 1-1 / 4" inner thread.

Activation: by lever.

Recommended water temperature: min. 15 °C - max. 35 °C.

Dynamic supply pressure: min. 0.2 MPa - Max. 0.5 MPa.

Minimum required water rate: 6 liters / minute to 0.2 MPa.

Color: Green RAL 6029.

### EMERGENCY SHOWERS, TECHNICAL SPECIFICATIONS

Shower head material: Polypropylene / Stainless steel.

Fittings: brass.

Tube: galvanized steel.

Flow 120 l / min at 0.3 MPa.

Finish: epoxy painted

Dynamic supply pressure: min. 0.2 MPa - max. 0.5 MPa.

Minimum required rate: 100 l / min at 0.2 MPa.

Color: Green RAL 6029.

# General Conditions of Sale

## NOFER CONDITIONS OF SALE

The descriptions and photographs contained in our catalogue are with an information purpose only. Our company policy is to improve our products continuously; therefore we reserve the right to change specifications without prior notification.

## PRICES

Prices do not include VAT or other taxes. The catalog prices can change without prior notification and are valid according to the current rates on the date of expedition.

## ORDERS

All orders must be formalized in writing.

Essential for the special manufacturing:

- To attach a sketch with the dimensions of the ordered product.
- To pay 50% of the amount at the time of the order acceptance. The remainder shall be paid according to the agreed conditions.
- Prices do not include installation or start-up.

## DELIVERY

- The merchandise contained in this catalogue is subject of a process of manufacturing. For this reason the delivery time provided by NOFER, S.L. for the products ordered by the purchaser, shall be considered as approximate or estimated time.

- Any eventual delay in delivery shall not give rise to any penalty or compensation for damages, or allow the buyer to cancel the order.

## TRANSPORTATION OF MERCHANDISE

When the goods are freight due, NOFER, S.L. is exonerated of possible flaws or defects that might be due to transportation of the goods.

- When the goods freight is prepaid, the customer must notify to NOFER, S.L., in writing and **within 24 hours** of the receipt of the goods, any defect attributable to the forwarder, in order to facilitate the claim of responsibility according to Law 16/1987 of Management of Land Transport and RD 1.111 / 1990 laying down the rules of the LOTT.

The claim against the carrier for damage or breakdown should be in the act of receiving the packages in case of visible damages and within 24 hours of receipt. If the damages were not visible, protest or reservation should be in writing.

- The goods travel always at the buyer's risk, even in cases of special agreements.

- Carriage prepaid:  
From 500 €.

## CLAIMS AND REFUNDS

Will not be accepted after FIFTEEN DAYS from the date of the receipt of the goods.

The date of the carrier's delivery note will record the date of receipt of the goods.

No refund without the original NOFER's packaging and the express consent by NOFER, S.L. will be accepted. No refunds are permitted for custom manufactured items.

Any unjustified returned material, if paid, will suffer a minimum of 15% automatic depreciation on the invoiced amount, for management expenses and storage. The depreciation can be increased after an expert valuation.

## WARRANTIES

Under the conditions described in the certificates included in the relevant section, the warranty is limited to the replacement of parts and spares that the NOFER, S.L. technical staff recognize, in our company and without compensation of any kind. The warranty does not include transport or solving breakdowns caused by reasons beyond the design or manufacture of the product or originated by improper handling, installation or maintenance, or by the normal wear.

## PAYMENT

Up to the granting of the appropriate classification and risk, all operations will be prepaid.

## SUCCESSIVE OPERATIONS

Deferral of payment of our invoices shall be agreed between both parties. After the set deadlines, we are allowed to post automatically the interest for late payment at the rate of ONE PERCENT per month or fraction of a month.

## TAXES

Invoice charged under applicable law.

## RETENTION OF TITLE

The goods are considered property NOFER, S.L. until the full payment by the customer, taking NOFER, S.L. until then the retention of title.

## JURISDICTION

Will be competent only in case of dispute, the Courts of Barcelona.

## REPARATIONS

The reparations will be held for the authorized Assistance Services or in NOFER, S.L., previous the corresponding budget acceptance. IMPORTANT: budget cost 15 €.



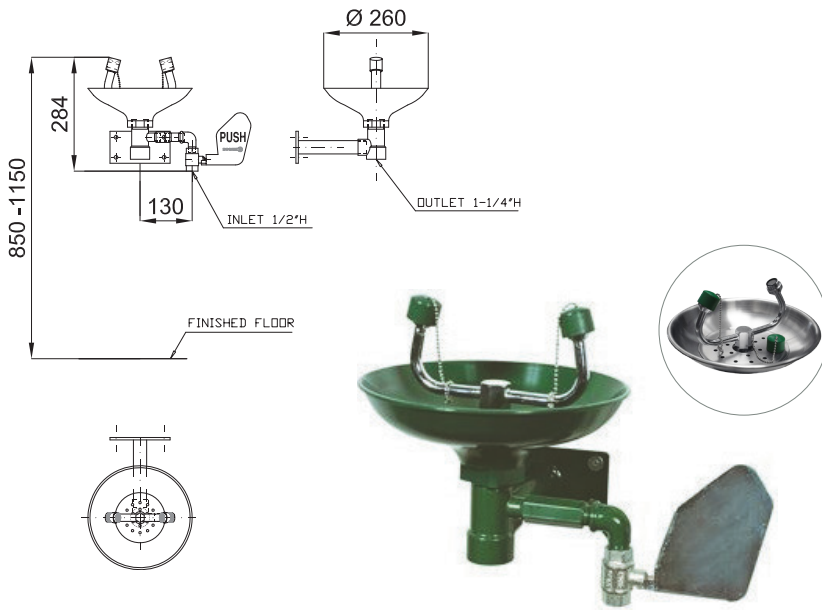
ООО «ТИ-СИСТЕМС» ИНЖИНИРИНГ И ПОСТАВКА ТЕХНОЛОГИЧЕСКОГО ОБОРУДОВАНИЯ

Интернет: [www.tisys.ru](http://www.tisys.ru) [www.tisys.kz](http://www.tisys.kz) [www.tisys.by](http://www.tisys.by) [www.tesec.ru](http://www.tesec.ru) [www.ти-системс.рф](http://www.ти-системс.рф)

Телефоны для связи: +7 (495) 7774788, 7489626, 5007154, 55, 65

Эл. почта: [info@tisys.ru](mailto:info@tisys.ru) [info@tisys.kz](mailto:info@tisys.kz) [info@tisys.by](mailto:info@tisys.by)

# DILUVIO wall mounted eyewash



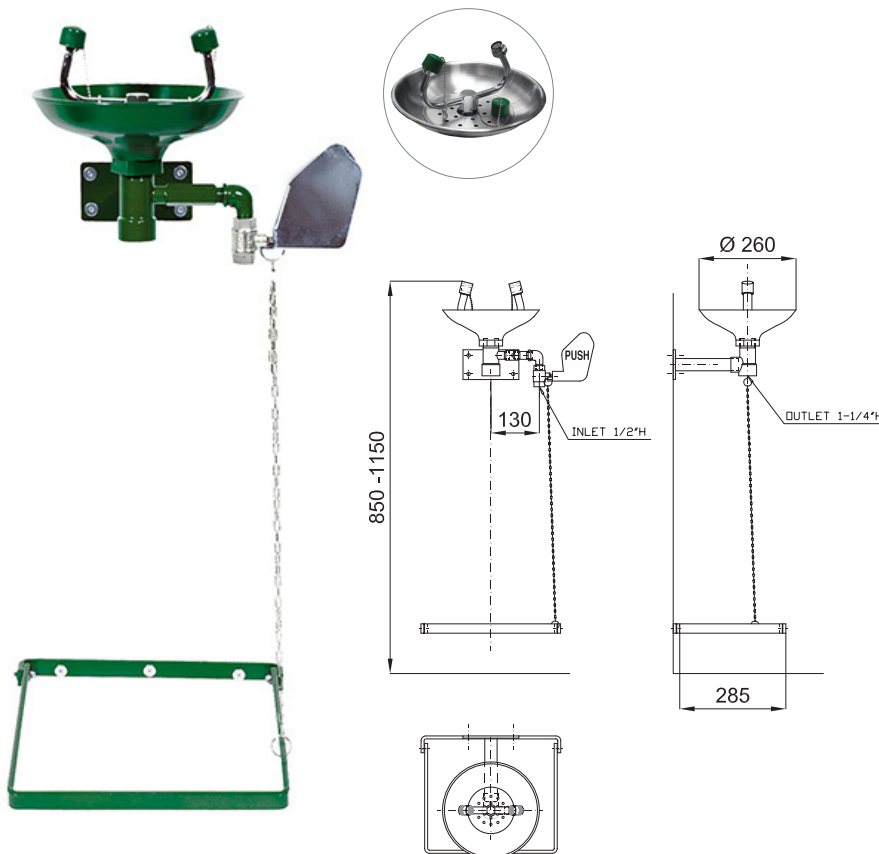
## SC300

Eyewash with aerated flow, manual closing valve and operated by lateral push lever. POLYPROPYLENE bowl. Wall mounted installation.

## SC300SS

Eyewash with aerated flow, manual closing valve and operated by lateral push lever. STAINLESS STEEL bowl. Wall mounted installation.

Dimensions in mm.



## SC310

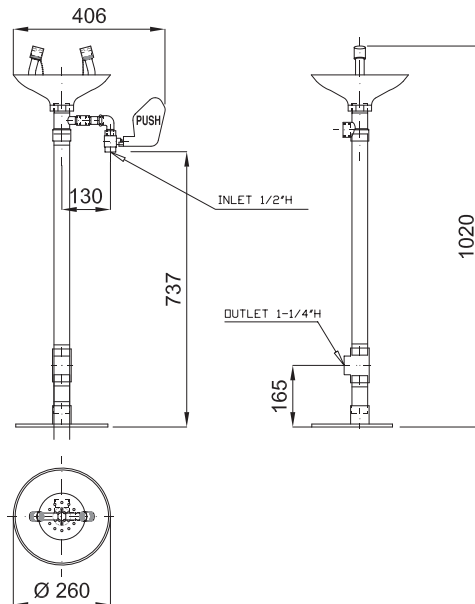
Eyewash with aerated flow, manual closing valve and double operation: lateral push lever and foot pedal. POLYPROPYLENE bowl. Wall mounted installation.

## SC310SS

Eyewash with aerated flow, manual closing valve and double operation: lateral push lever and foot pedal. STAINLESS STEEL bowl. Wall mounted installation.

Dimensions in mm.

# DILUVIO pedestal mounted eyewash



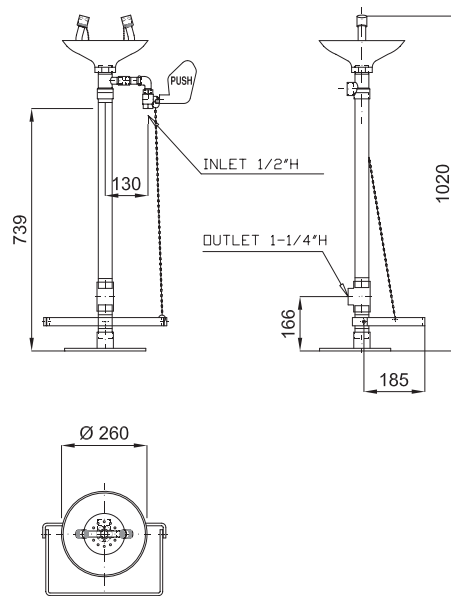
## SC320

Eyewash with aerated flow, manual closing valve and operated by lateral push lever. POLYPROPYLENE bowl. Floor pedestal installation.

## SC320SS

Eyewash with aerated flow, manual closing valve and operated by lateral push lever. STAINLESS STEEL bowl. Floor pedestal installation.

Dimensions in mm.



## SC380

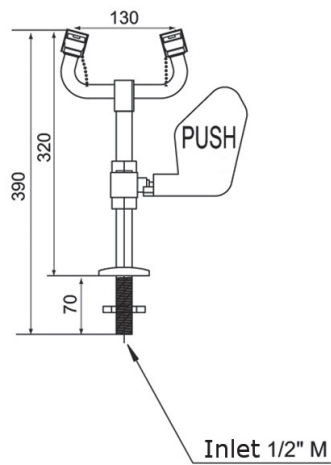
Eyewash with aerated flow, manual closing valve and double operation: lateral push lever and foot pedal. POLYPROPYLENE bowl. Floor pedestal installation.

## SC380SS

Eyewash with aerated flow, manual closing valve and double operation: lateral push lever and foot pedal. STAINLESS STEEL bowl. Floor pedestal installation.

Dimensions in mm.

## DILUVIO deck mounted eyewash

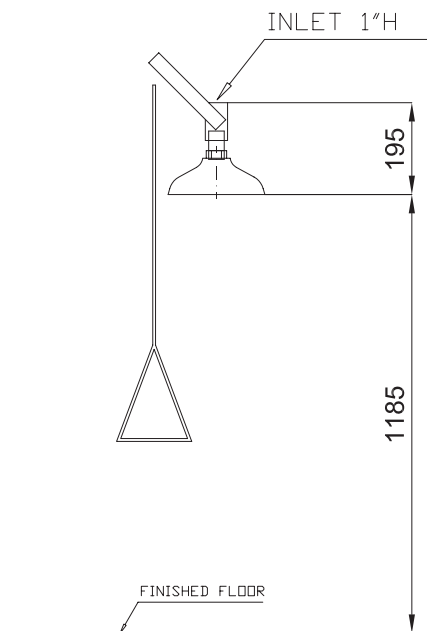


### SC400

Eyewash with aerated flow, manual closing valve and operated by lateral push lever. Deck mounted installation.

Dimensions in mm.

## DILUVIO ceiling mounted emergency shower



### SC820

Emergency shower with manual closing valve and operated by pull rod triangular handle. POLYPROPYLENE shower head. Ceiling mounted installation.

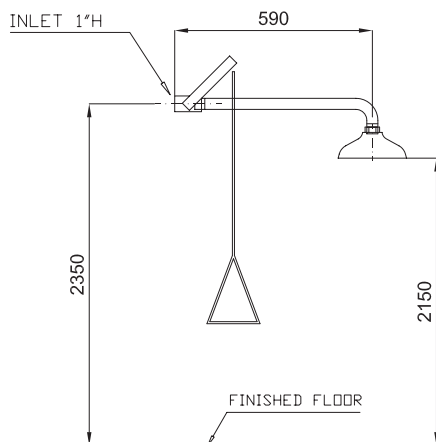
### SC820SS

Emergency shower with manual closing valve and operated by pull rod triangular handle. STAINLESS STEEL shower head. Ceiling mounted installation.

Dimensions in mm.



## DILUVIO wall mounted emergency shower



### SC830

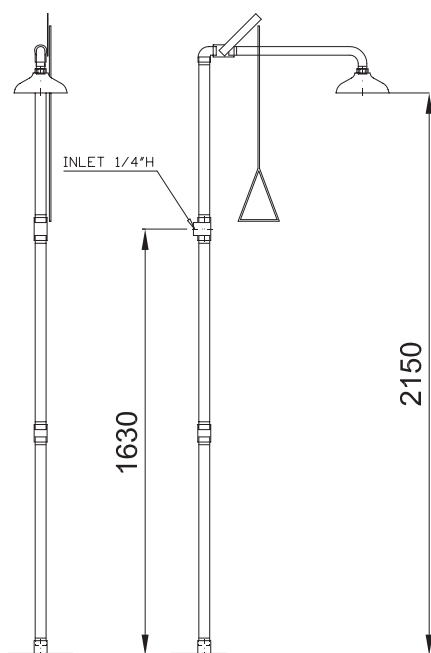
Emergency shower with manual closing valve and operated by pull rod triangular handle. POLYPROPYLENE shower head. Wall mounted installation.

### SC830SS

Emergency shower with manual closing valve and operated by pull rod triangular handle. STAINLESS STEEL shower head. Wall mounted installation.

Dimensions in mm.

## DILUVIO pedestal mounted emergency shower



### SC800

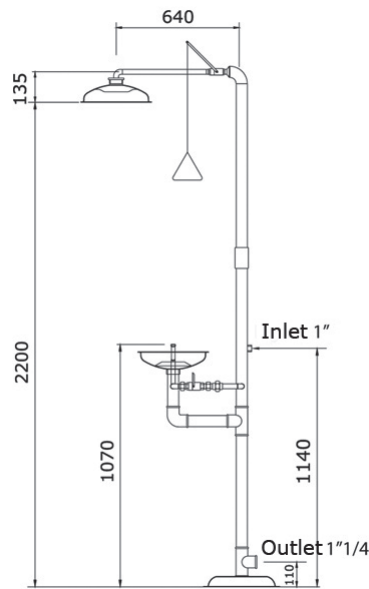
Emergency shower with manual closing valve and operated by pull rod triangular handle. POLYPROPYLENE shower head. Floor pedestal installation.

### SC800SS

Emergency shower with manual closing valve and operated by pull rod triangular handle. STAINLESS STEEL shower head. Floor pedestal installation.

Dimensions in mm.

# DILUVIO emergency shower and eyewash combination



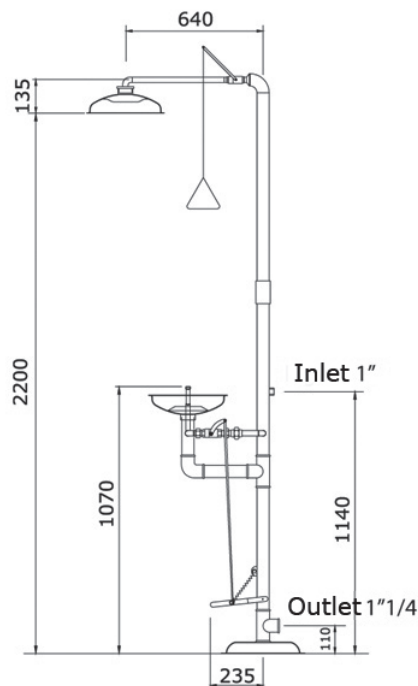
## SC700

Eyewash and emergency shower combination. Manual operated shower by pull rod triangular handle. Manual operated eyewash by lateral push lever. Eyewash with aerated flow. POLYPROPYLENE shower head and bowl. Floor pedestal installation.

## SC700SS

Eyewash and emergency shower combination. Manual operated shower by pull rod triangular handle. Manual operated eyewash by lateral push lever. Eyewash with aerated flow. STAINLESS STEEL shower head and bowl. Floor pedestal installation.

Dimensions in mm.



## SC710

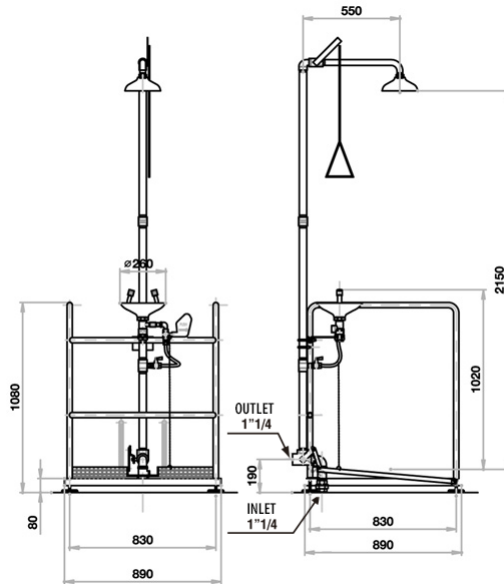
Eyewash and emergency shower combination. Manual operated shower by pull rod triangular handle. Double operation in eyewash: by lateral push lever and foot pedal. Eyewash with aerated flow. POLYPROPYLENE shower head and bowl. Floor pedestal installation.

## SC710SS

Eyewash and emergency shower combination. Manual operated shower by pull rod triangular handle. Double operation in eyewash: by lateral push lever and foot pedal. Eyewash with aerated flow. STAINLESS STEEL shower head and bowl. Floor pedestal installation.

Dimensions in mm.

# DILUVIO emergency shower and eyewash combination



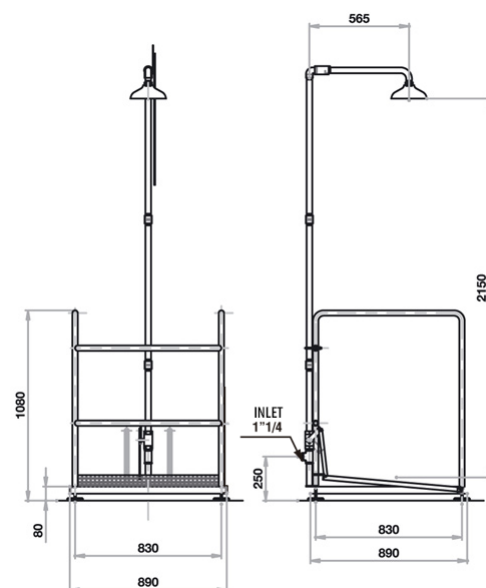
## SC730

Eyewash and emergency shower combination. Manual operated shower by pull rod triangular handle. Eyewash with double operation: lateral push lever and footboard. Eyewash with aerated flow. POLYPROPYLENE shower head and bowl. Self draining antifreeze system.

## SC730SS

Eyewash and emergency shower combination. Manual operated shower by pull rod triangular handle. Eyewash with double operation: lateral push lever and footboard. Eyewash with aerated flow. STAINLESS STEEL shower head and bowl. Self draining antifreeze system.

Dimensions in mm.



## SC200P

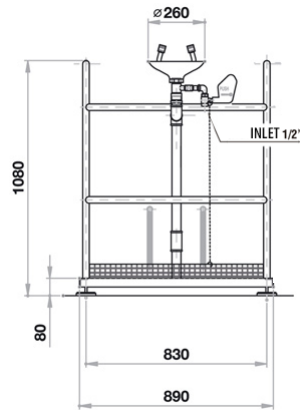
Self closing emergency shower station. Activated by footboard. POLYPROPYLENE shower head.

## SC200PSS

Emergency self closing shower station. Activated by footboard. STAINLESS STEEL shower head.

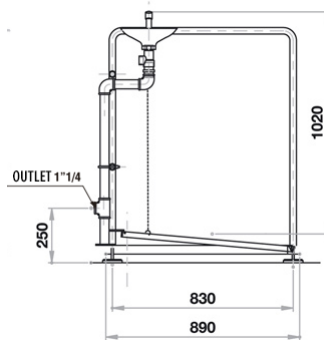
Dimensions in mm.

# DILUVIO emergency shower and eyewash combination



## SC283P

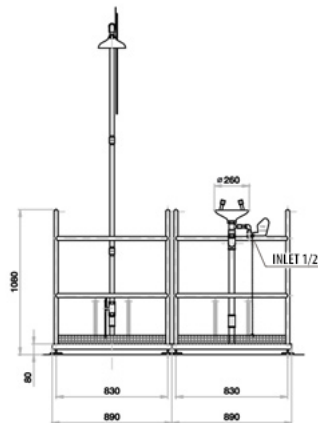
Eyewash with aerated flow station with manual closing valve and double operation: lateral push lever and footboard. POLYPROPYLENE bowl.



## SC283PSS

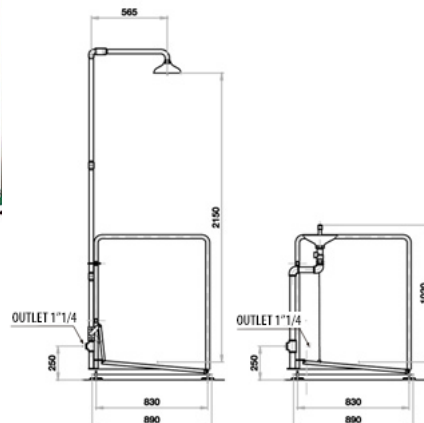
Eyewash with aerated flow station with manual closing valve and double operation: lateral push lever and footboard. STAINLESS STEEL bowl.

Dimensions in mm.



## SC300P

Eyewash and emergency shower combination. Double footboard for independent activation and division grab bars. Eye wash station SC283P. Emergency shower station SC200P. POLYPROPYLENE shower head and bowl.

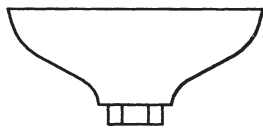


## SC300PSS

Eyewash and emergency shower combination equipped with double footboard for independent activation and division grab bars. Eye wash station SC283PSS. Emergency shower station SC200PSS. STAINLESS STEEL shower head and bowl.

Dimensions in mm.

# DILUVIO spare parts



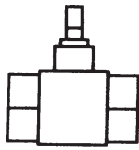
## Bowl

Code	Description
SC0001	POLYPROPYLENE bowl
ISC30001SS	STAINLESS STEEL bowl



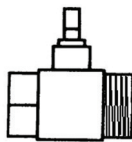
## Plug with chain

Code	Description
SC002	Plug with chain



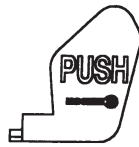
## Ball valve 1" inner thread - inner thread (shower)

Code	Description
I10007640	Ball valve 1" inner thread - inner thread (shower)



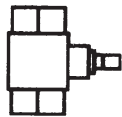
## Ball valve 1" inner thread - outer thread (shower)

Code	Description
I10007640M	Ball valve 1" inner thread - outer thread (shower)



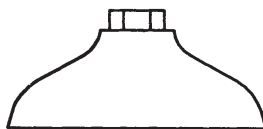
## Hand lever "PUSH"

Code	Description
ISC30005	Hand lever "PUSH"



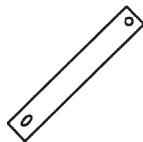
## Ball valve 1/2" inner thread - inner thread

Code	Description
ISC7640	Ball valve 1/2" inner thread - inner thread



## Shower head

Code	Description
ISC870	POLYPROPYLENE shower head
ISC870SS	STAINLESS STEEL shower head



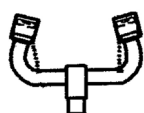
## Leverage

Code	Description
ISC80001	Leverage



## Pull rod triangular handle

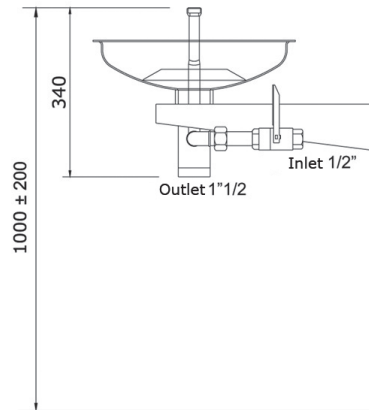
Code	Description
ISC80002	Pull rod triangular handle



## Double arms eye washbasin with aerators

Code	Description
ISC50714	Double arms eye washbasin with aerators

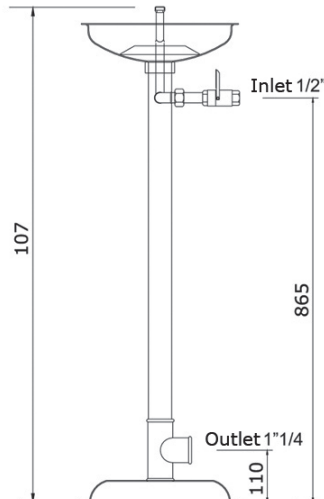
# Stainless steel eyewash



## IT300SS

STAINLESS STEEL eyewash with aerated flow, manual closing valve and operated by lateral push lever. Wall mounted installation.

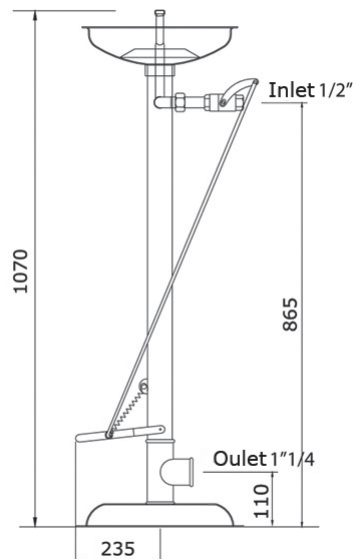
Dimensions in mm.



## IT320SS

STAINLESS STEEL eyewash with aerated flow, manual closing valve and operated by lateral push lever. Floor pedestal installation.

Dimensions in mm.

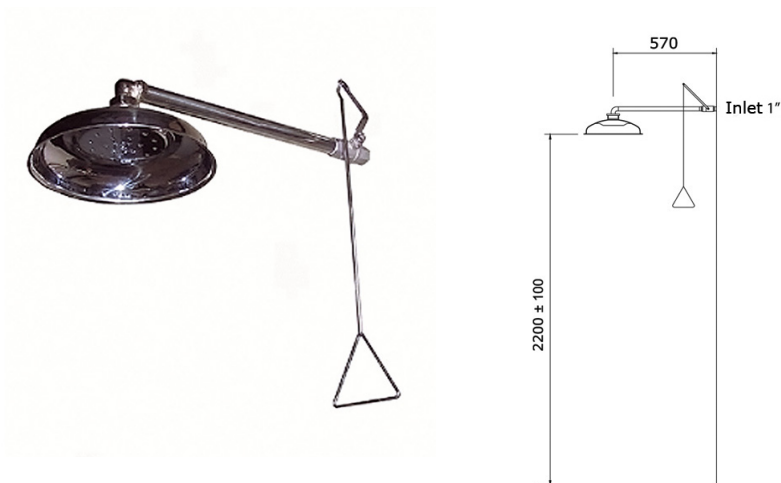


## IT380SS

STAINLESS STEEL eyewash with aerated flow, manual closing valve and double operation: lateral push lever and foot pedal. Floor pedestal installation.

Dimensions in mm.

## Stainless steel emergency shower



### IT830SS

STAINLESS STEEL emergency shower with manual closing valve and operated by pull rod triangular handle. POLYPROPYLENE shower head. Wall mounted installation.

Dimensions in mm.

## Stainless steel emergency shower and eyewash combination



### IT700SS

STAINLESS STEEL eyewash and emergency shower combination. Manual operated shower by pull rod triangular handle. Manual operated eyewash by lateral push lever. Eyewash with aerated flow. Floor pedestal installation.

Dimensions in mm.



### IT710SS

STAINLESS STEEL eyewash and emergency shower combination. Manual operated shower by pull rod triangular handle. Double operation in eyewash: by lateral push lever and foot pedal. Eyewash with aerated flow. Floor pedestal installation.

Dimensions in mm.

# Stainless steel emergency shower and eyewash spare parts



Code  
ITISC870SS

Description  
STAINLESS STEEL shower head



Code  
ITSC0001

Description  
STAINLESS STEEL bowl



Code  
ITISC50714

Description  
STAINLESS STEEL double arms eye washbasin with aerators  
(Plugs with chain not included)



Code  
ITSC0002

Description  
Plug with chain (one unit)



Code  
ITII0007640

Description  
STAINLESS STEEL ball valve 1" inner - inner thread with handle



Code  
ITISC7640

Description  
STAINLESS STEEL ball valve 1/2" inner - inner thread



Code  
ITISC80002

Description  
STAINLESS STEEL pull rod triangular handle



Code  
ITISC30005

Description  
Manual push lever



## Special and portable eyewashers



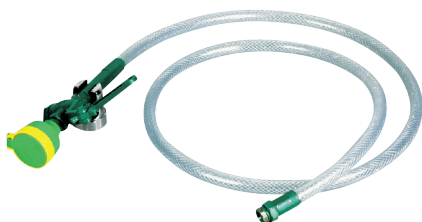
ES00SE597



FARC396



ES00SE4300



FARC752



ES00SE920



ES00SE921

## Special and portable eyewashers

Code	Description	Container capacity (liters)
ES00SE597	STAINLESS STEEL portable presurized unit with one aerated jet flexible eyewash.	max 20
FARC396	High density polyethylene portable eye and face wash, function by gravity.	max 34
ES00SE4300	High density polyethylene portable eye and face wash, function by gravity.	max 80
FARC752	Eyewash with flexible pipe, automatic closing valve with leverage. Length 1500 mm. Wall support installation. Chromed finished metal components.	-
ES00SE920	Eyewash with flexible pipe, one aerated jet, self closing valve and lever activation. Length 1800 mm. Wall support installation. Chromed finished metal components.	-
ES00SE921	Eyewash with flexible pipe, one aerated jet, self closing valve and lever activation. Length 1800 mm. Deck mounted installation. Chromed finished metal components.	-

# Product index

<b>Code</b>	<b>Description</b>	<b>Pag.</b>
ES00SE43000	Portable emergency eye and face wash, 80 liters.	17
ES00SE597	STAINLESS STEEL portable unit with flexible eye wash one aerated jet.	17
ES00SE920	Eye wash with flexible pipe 1800 mm length.	17
ES00SE921	Eye wash one aerated jet. Installation on countertop.	17
FARC396	Portable emergency eye and face wash, 34 liters.	17
FARC752	Eye wash with flexible pipe 1500 mm length.	17
II0007640	Ball valve 1" inner - inner threads.	13
II0007640M	Ball valve 1" inner - outer threads.	13
ISC30001SS	STAINLESS STEEL bowl.	13
ISC30005	Hand lever "PUSH".	13
ISC50714	Double arms eye washbasin with aerators.	13
ISC7640	Ball valve 1/2" inner - inner thread.	13
ISC80001	Leverage.	13
ISC80002	Pull rod triangular handle.	13
ISC870	POLYPROPYLENE shower head.	13
ISC870SS	STAINLESS STEEL shower head.	13
IT300SS	STAINLESS STEEL eye wash. Wall mounted installation.	14
IT320SS	STAINLESS STEEL eye wash. Free standing.	14
IT380SS	STAINLESS STEEL eye wash double opening. Free standing.	14
IT700SS	STAINLESS STEEL emergency shower and eye wash combination. Free standing.	15
ITII0007640	STAINLESS STEEL ball valve 1" inner - inner thread with handle.	16
ITISC30005	Hand lever "PUSH".	16
ITISC50714	STAINLESS STEEL double arm eye washbasin with aerators.	16
ITISC7640	STAINLESS STEEL ball valve 1/2" inner - inner thread.	16
ITISC80002	STAINLESS STEEL pull rod triangular handle.	16
ITISC870SS	STAINLESS STEEL shower head.	16
ITSC0001	STAINLESS STEEL bowl.	16
ITSC0002	Plug with chain.	16
IT710SS	STAINLESS STEEL eyewash and emergency shower combination. Double operation eyewash. Floor pedestal installation.	15
ITSC830SS	STAINLESS STEEL emergency shower. Wall mounted installation.	15
SC002	Plug with chain.	13
SC200P	Self closing emergency shower station activated by footboard. POLYPROPYLENE shower head.	11
SC200PSS	Self closing emergency shower station activated by footboard. STAINLESS STEEL shower head.	11
SC283P	Double operation eyewash: by footboard and by lateral push lever. POLYPROPYLENE bowl.	12
SC283PSS	Double operation eyewash: by footboard and by lateral push lever. STAINLESS STEEL bowl.	12
SC300	Eyewash with POLYPROPYLENE bowl. Wall mouted installation.	6
SC0001	POLYPROPYLENE bowl.	13
SC300P	Eyewash and emergency shower combination with double footboard. POLYPROPYLENE bowl and shower head.	12
SC300PSS	Eyewash and emergency shower combination with double footboard. STAINLESS STEEL bowl and shower head.	12

Code	Description	Pag.
SC300SS	Eyewash with STAINLESS STEEL bowl. Wall mouted installation.	6
SC310	Eyewash with double operation. POLYPROPYLENE bowl. Wall mounted installation.	6
SC310SS	Eyewash with double operation. STAINLESS STEEL bowl. Wall mounted installation.	6
SC320	Eyewahs with POLYPROPYLENE bowl. Floor pedestal installation.	7
SC320SS	Eyewash with STAINLESS STEEL bowl. Floor pedestal installation.	7
SC380	Eyewash with double operations. POLYPROPYLENE bowl. Floor pedestal installation.	7
SC380SS	Eyewash with double operations. STAINLESS STEEL bowl. Floor pedestal installation.	7
SC400	Eyewash deck mounted installation.	8
SC700	Emergency shower and eyewash combination. POLYPROPYLENE shower head and bowl. Floor pedestal installation.	10
SC700SS	Emergency shower and eyewash combination. STAINLESS STEEL shower head and bowl. Floor pedestal installation.	10
SC710	Emergency shower and eyewash combination. Eyewash activation by foot pedal. POLYPROPYLENE shower head and bowl.	10
SC710SS	Emergency shower and eyewash combination. Eyewash activation by foot pedal. STAINLESS STEEL shower head and bowl.	10
SC730	Emergency shower and eyewash combination. POLYPROPYLENE shower head and bowl. Self draining antifreeze system.	11
SC730SS	Emergency shower and eyewash combination. STAINLESS STEEL shower head and bowl. Self draining antifreeze system.	11
SC800	Emergency shower. POLYPROPYLENE shower head. Floor pedestal installation.	9
SC800SS	Emergency shower. STAINLESS STEEL shower head. Floor pedestal installation.	9
SC820	Emergency shower. POLYPROPYLENE shower head. Ceiling mounted installation.	8
SC820SS	Emergency shower. STAINLESS STEEL shower head. Ceiling mounted installation.	8
SC830	Emergency shower. POLYPROPYLENE shower head. Wall mounted installation.	9
SC830SS	Emergency shower. STAINLESS STEEL shower head. Wall mounted installation.	9

## Certifications

### TOTAL QUALITY

The quality of our products and services has always been very important for BOCCHI SafeWork NOFER. Right from its origins, in 50 years of activity, we have pursued quality as a matter of professional and ethical commitment towards our clients, as well as a matter of culture. These efforts have been rewarded with the obtaining of the much desired certificate of Quality ISO, renewed on the 2 November 2012 (EC-2661/06) and here shown in copy. The ISO 9001:2008, well deserved prize after years of quality work, concerns designing, selling, assistance and commercialization. The NOFER GROUP quality system is certified and recognized according to ISO ISO 9001 regulations which control all the range of the company's activities, from the designing to the development of the product, and from the distribution to the assistance. But the most important quality acknowledgement is the satisfaction which comes from clients and users of the BOCCHI products and services.





ООО «ТИ-СИСТЕМС» ИНЖИНИРИНГ И ПОСТАВКА ТЕХНОЛОГИЧЕСКОГО ОБОРУДОВАНИЯ

Интернет: [www.tisys.ru](http://www.tisys.ru) [www.tisys.kz](http://www.tisys.kz) [www.tisys.by](http://www.tisys.by) [www.tisys.pl](http://www.tisys.pl) [www.ти-системс.рф](http://www.ти-системс.рф)

Телефоны для связи: +7 (495) 7774788, 7489626, 5007154, 55, 65

Эл. почта: [info@tisys.ru](mailto:info@tisys.ru) [info@tisys.kz](mailto:info@tisys.kz) [info@tisys.by](mailto:info@tisys.by)